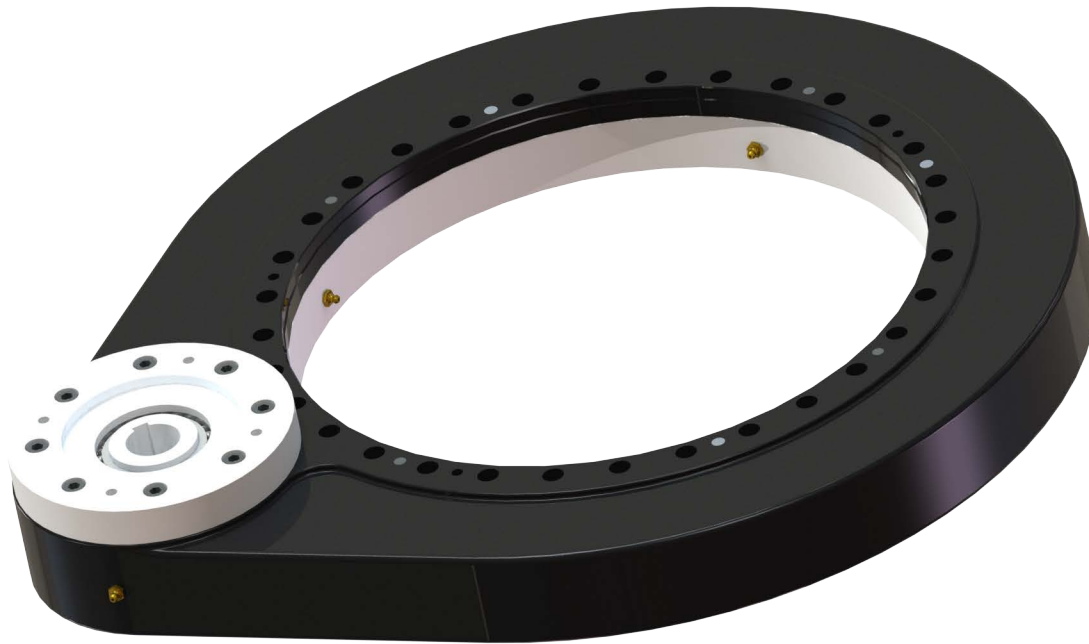


NATECH **DRIVE**

Slew drive - Outer gear



Spur gear slew drive

Introduction:

Spur gear slew drives are a complete solution composed of slewing bearings, gears, housings, adapter flanges, support bearings, seals and other components. After reasonable design, component manufacturing, debugging, assembly and other processes, the products have the ability to withstand very high axial forces, radial forces and tilting moments. Because of the ready-made design it is possible to directly connect customers motor or gearbox.

Thanks to our extensive resources, special designs and custom made slewing drives are also possible.

Code description:

Product code	Series	Size	Outer/Internal gear	Bearing type	Tooth type	Precision	Ratio	\	Special design
PT	L - Light	0229	O - Outer gear I - Internal Gear	B - Ball bearing (standard)	S - straight teeth	NP - Normal precision	5.40	\	Special design
	M- Medium	0311			H - Helical teeth	HP - High precision	6.80		
	H - Heavy		

Series PT-L-O-B-S

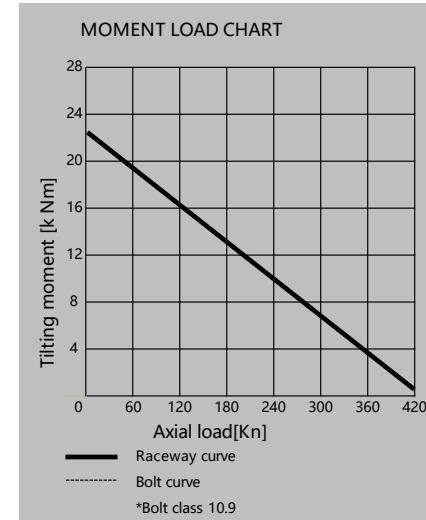
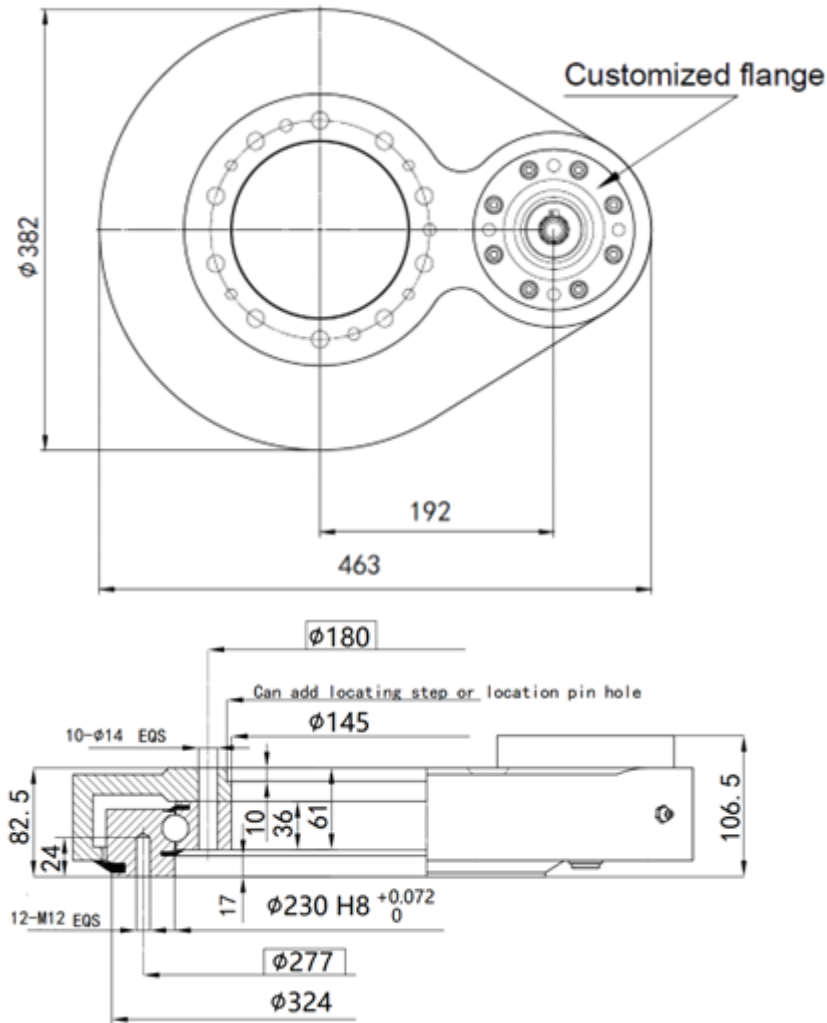
L - Light duty

Series PT-L-O-B-S	Sign	Unit	0229	0311	0411	0541	0641	0741	0841	0941	1091
Module	M	mm	4	4	4	4	4	4	4	4	4
Teeth number of wheel	Z2	-	81	102	126	156	183	207	231	258	294
Teeth number of pinion	Z1	-	15	15	15	15	15	15	15	15	15
Gear ratio	i	-	5,40	6,80	8,40	10,40	12,20	13,80	15,40	17,20	19,60
Max torque	Md max	Nm	3062	3837	4806	6047	7016	7985	8954	9923	11395
Nom torque	Md nom	Nm	2659	2706	3415	4328	5019	5757	6456	7181	8247
Max holding torque	Mh	Nm	3062	3837	4806	6047	7016	7985	8954	9923	11395
Radial static load	Co rad	kN	162	212	281	369	438	506	574	643	746
Axial static load	Co ax	kN	471	568	751	989	1172	1356	1538	1722	1996
Radial dynamic load	Crad	kN	154	175	194	216	231	243	255	265	281
Axial dynamic load	Cax	kN	181	204	226	253	269	284	299	311	327
Weight	W	kg	50	60	75	88	107	120	131	153	168
Common products	Precision	mm	Tooth high point backlash value=0.03*M-0.04*M								
Precision products	Precision	°	0,050	0,040	0,030	0,030	0,025	0,025	0,020	0,020	0,015

Item PT-L-0229-O-B-S

www.pivexin-tech.com

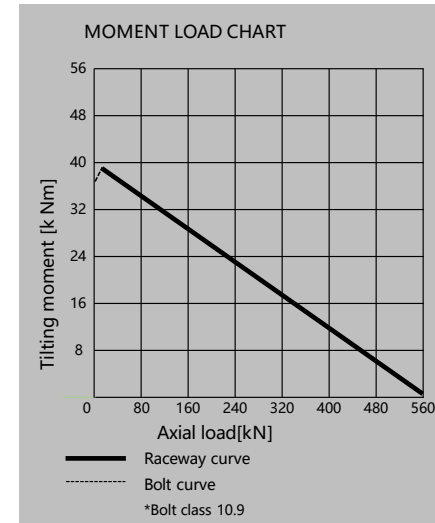
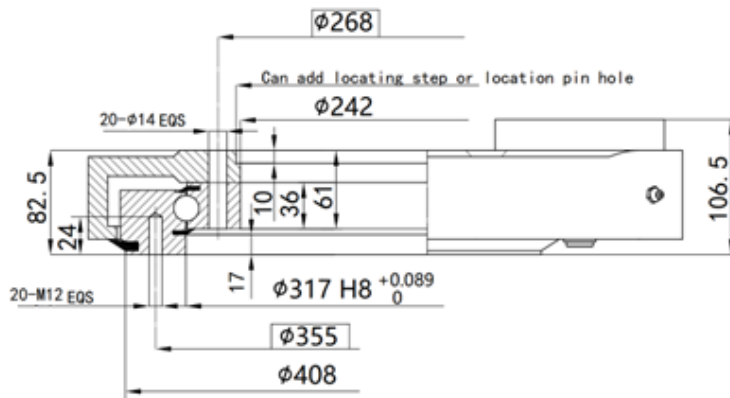
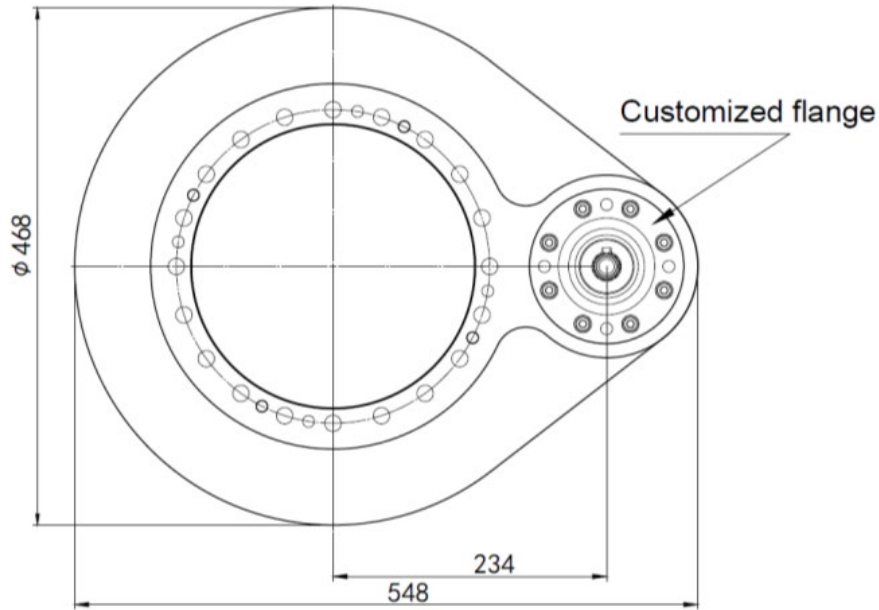
NATECH
DRIVE



Item PT-L-0229-O-B-S	Sign	Unit	Value
Module	M	mm	4
Teeth number of wheel	Z2	-	81
Teeth number of pinion	Z1	-	15
Gear ratio	i	-	5,40
Max torque	Md max	N.m	3062
Nom torque	Md nom	N.m	2659
Max holding torque	Mh	N.m	3062
Radial static load	Co rad	kN	162
Axial static load	Co ax	kN	471
Radial dynamic load	Crad	kN	154
Axial dynamic load	Cax	kN	181
Weight	W	kg	50

Item PT-L-0311-O-B-S

www.pivexin-tech.com

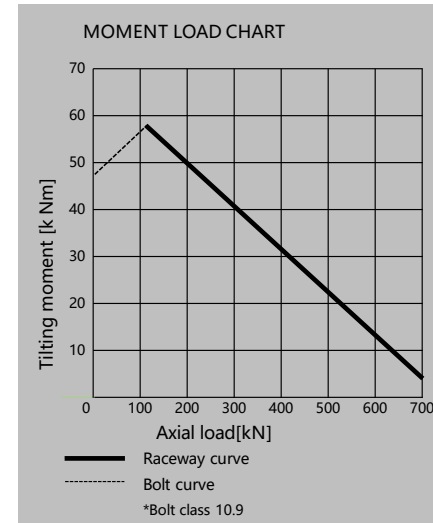
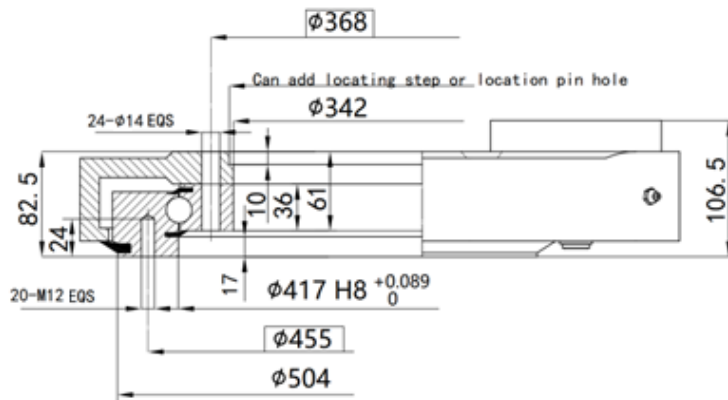
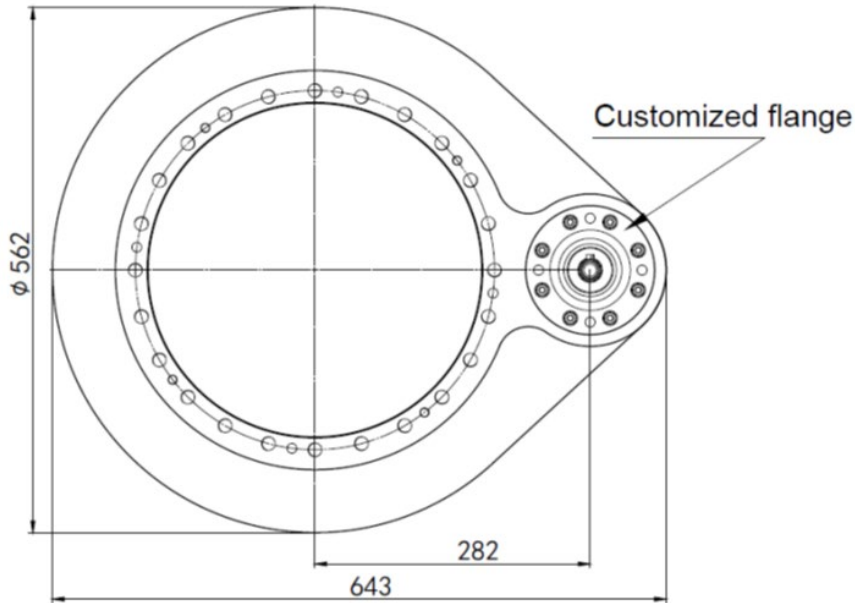


Item PT-L-0311-O-B-S	Sign	Unit	Value
Module	M	mm	4
Teeth number of wheel	Z2	-	102
Teeth number of pinion	Z1	-	15
Gear ratio	i	-	6,80
Max torque	Md max	N.m	3837
Nom torque	Md nom	N.m	2706
Max holding torque	Mh	N.m	3837
Radial static load	Co rad	kN	212
Axial static load	Co ax	kN	568
Radial dynamic load	Crad	kN	175
Axial dynamic load	Cax	kN	204
Weight	W	kg	60

Item PT-L-0411-O-B-S

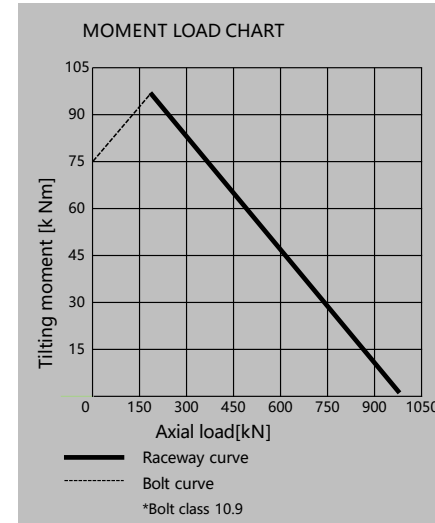
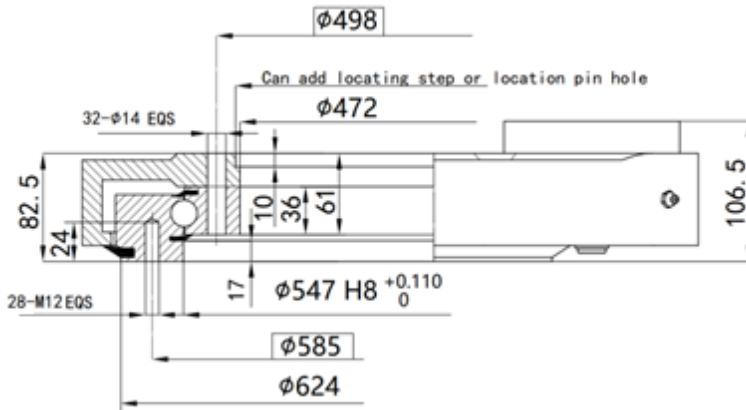
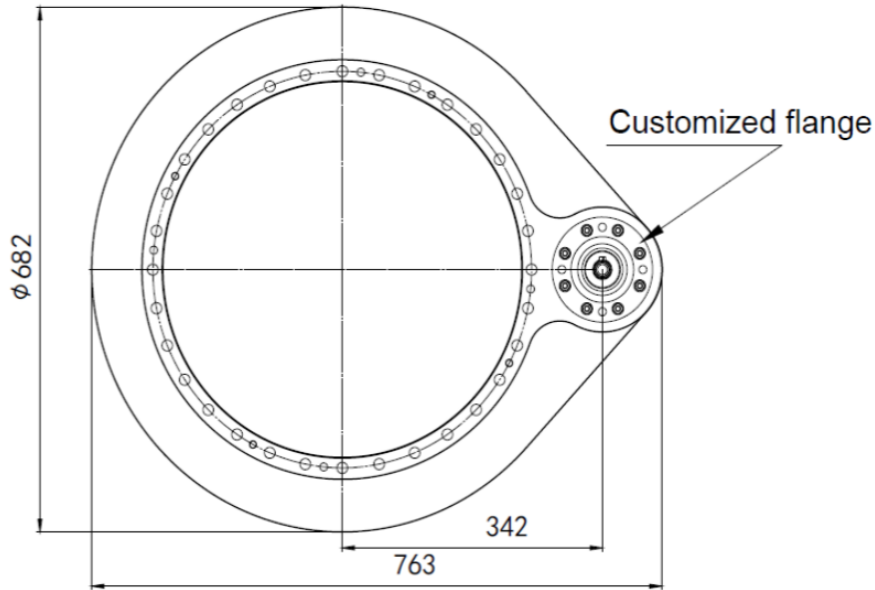
www.pivexin-tech.com

NATECH
DRIVE



Item PT-L-0411-O-B-S	Sign	Unit	Value
Module	M	mm	4
Teeth number of wheel	Z2	-	126
Teeth number of pinion	Z1	-	15
Gear ratio	i	-	8,40
Max torque	Md max	N.m	4806
Nom torque	Md nom	N.m	3415
Max holding torque	Mh	N.m	4806
Radial static load	Co rad	kN	281
Axial static load	Co ax	kN	751
Radial dynamic load	Crad	kN	194
Axial dynamic load	Cax	kN	226
Weight	W	kg	75

Item PT-L-0541-O-B-S

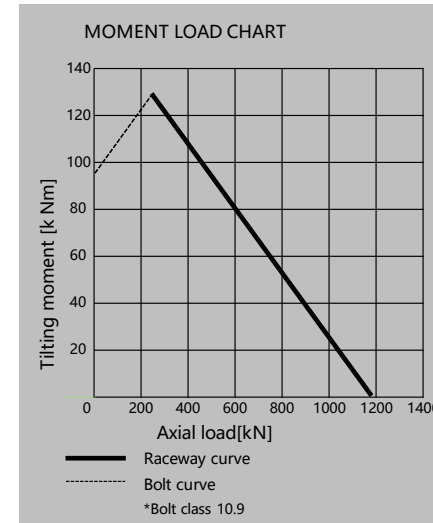
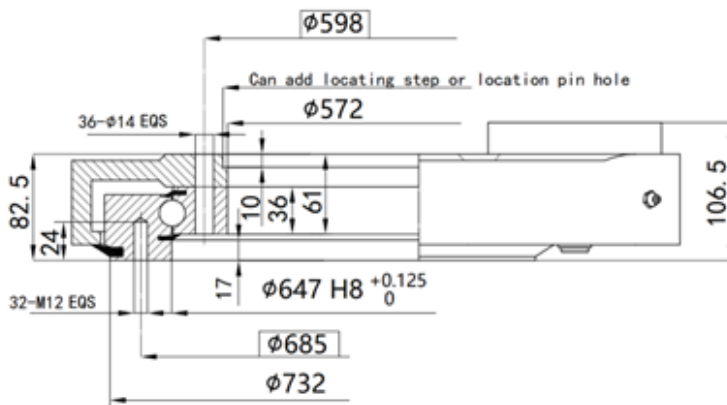
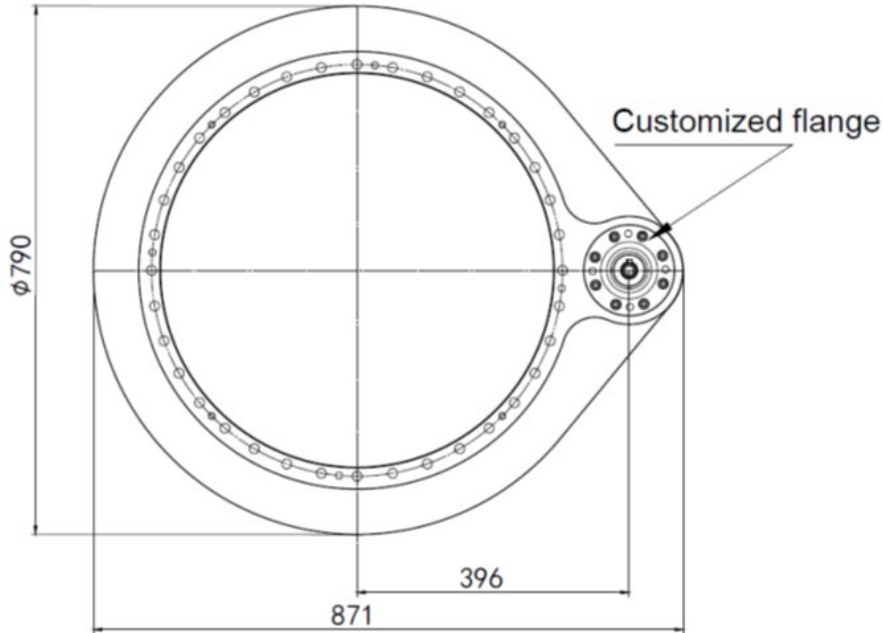


Item PT-L-0541-O-B-S	Sign	Unit	Value
Module	M	mm	4
Teeth number of wheel	Z2	-	156
Teeth number of pinion	Z1	-	15
Gear ratio	i	-	10,40
Max torque	Md max	N.m	6047
Nom torque	Md nom	N.m	4328
Max holding torque	Mh	N.m	6047
Radial static load	Co rad	kN	369
Axial static load	Co ax	kN	989
Radial dynamic load	Crad	kN	216
Axial dynamic load	Cax	kN	253
Weight	W	kg	88

Item PT-L-0641-O-B-S

www.pivexin-tech.com

NATECH
DRIVE

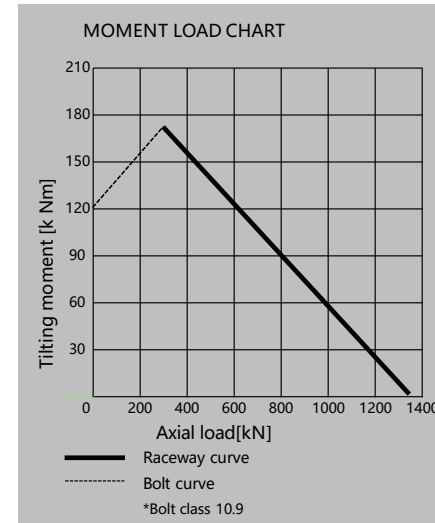
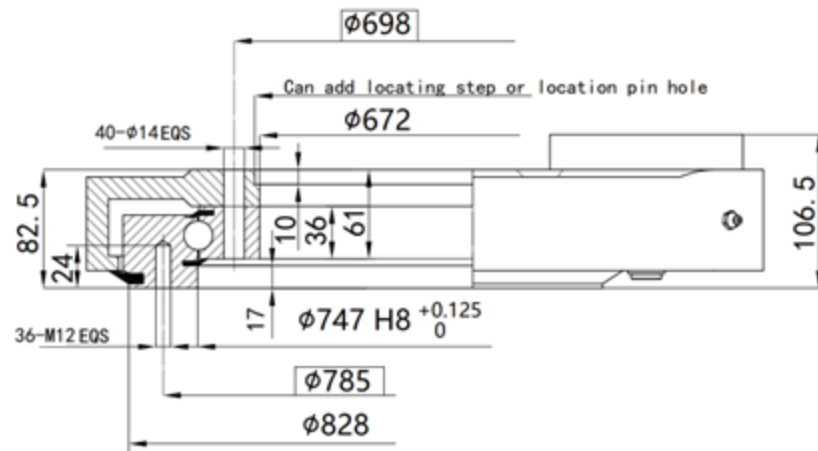
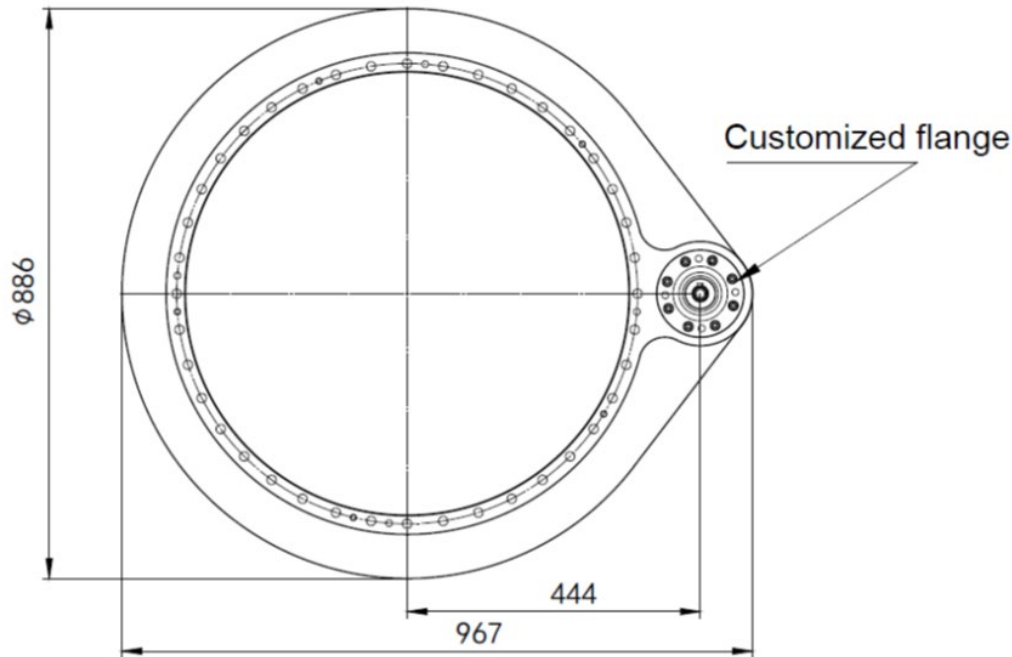


Item PT-L-0641-O-B-S	Sign	Unit	Value
Module	M	mm	4
Teeth number of wheel	Z2	-	183
Teeth number of pinion	Z1	-	15
Gear ratio	i	-	12,20
Max torque	Md max	N.m	7016
Nom torque	Md nom	N.m	5019
Max holding torque	Mh	N.m	7016
Radial static load	Co rad	kN	438
Axial static load	Co ax	kN	1172
Radial dynamic load	Crad	kN	231
Axial dynamic load	Cax	kN	269
Weight	W	kg	107

Item PT-L-0741-O-B-S

www.pivexin-tech.com

NATECH
DRIVE

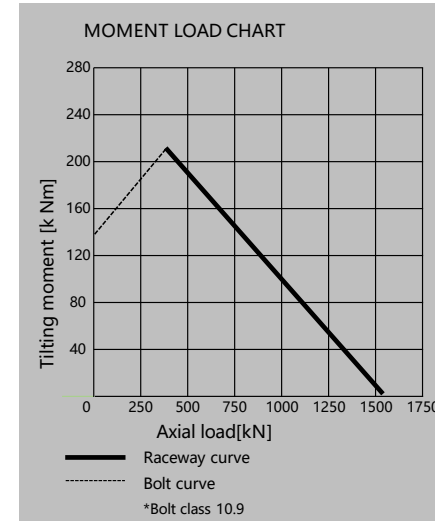
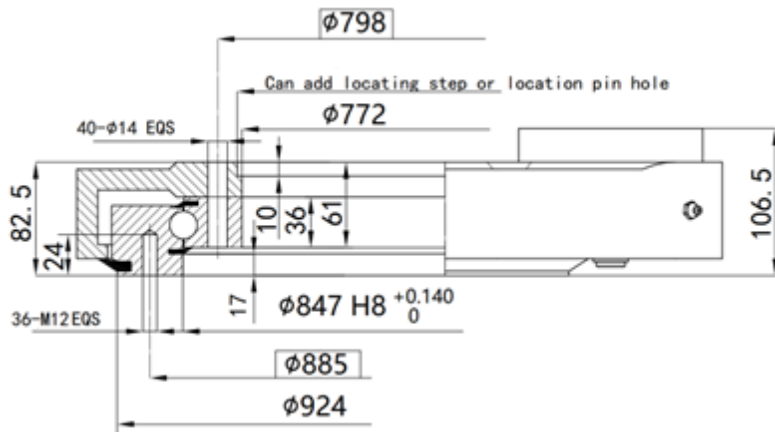
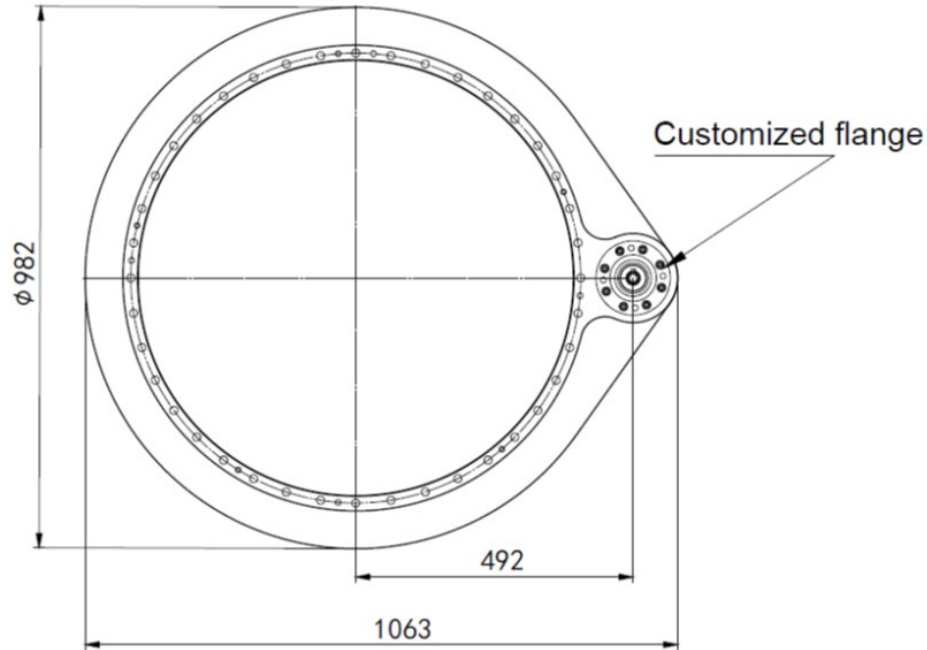


Item PT-L-0741-O-B-S	Sign	Unit	Value
Module	M	mm	4
Teeth number of wheel	Z2	-	207
Teeth number of pinion	Z1	-	15
Gear ratio	i	-	13,80
Max torque	Md max	N.m	7985
Nom torque	Md nom	N.m	5757
Max holding torque	Mh	N.m	7985
Radial static load	Co rad	kN	506
Axial static load	Co ax	kN	1356
Radial dynamic load	Crad	kN	243
Axial dynamic load	Cax	kN	284
Weight	W	kg	120

Item PT-L-0841-O-B-S

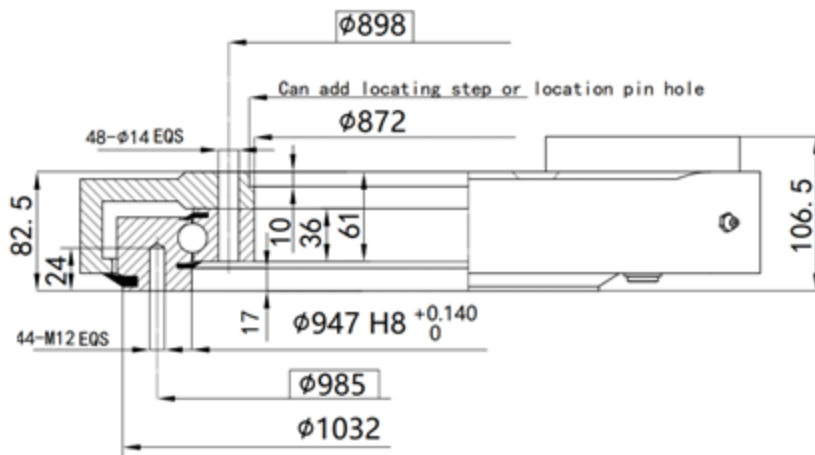
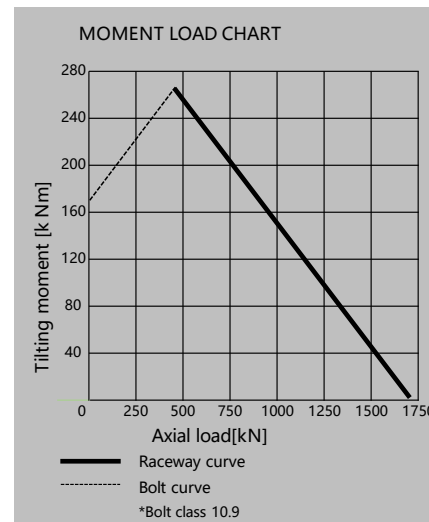
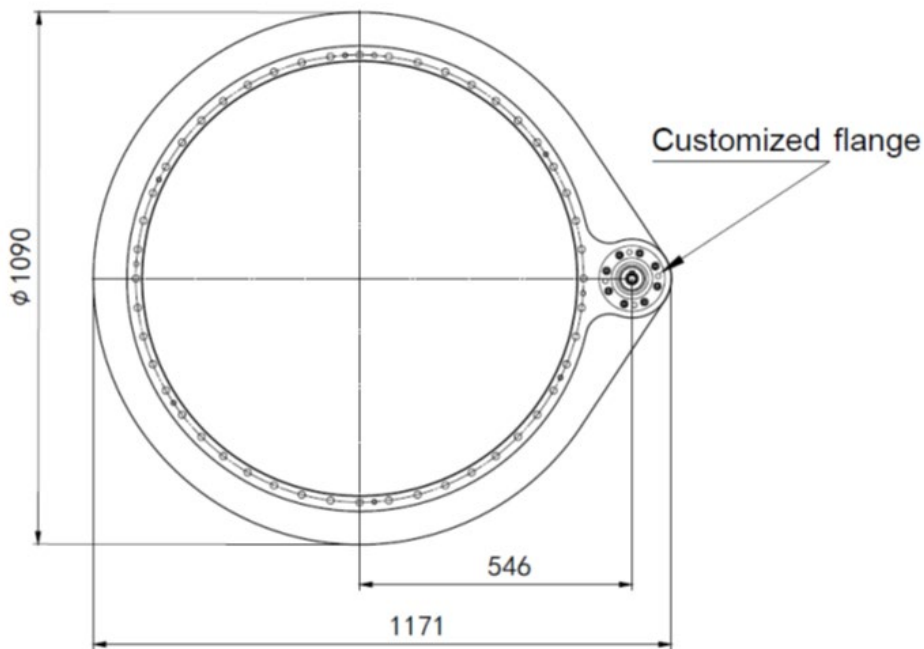
www.pivexin-tech.com

NATECH
DRIVE



Item PT-L-0841-O-B-S	Sign	Unit	Value
Module	M	mm	4
Teeth number of wheel	Z2	-	231
Teeth number of pinion	Z1	-	15
Gear ratio	i	-	15,40
Max torque	Md max	N.m	8954
Nom torque	Md nom	N.m	6456
Max holding torque	Mh	N.m	8954
Radial static load	Co rad	kN	574
Axial static load	Co ax	kN	1538
Radial dynamic load	Crad	kN	255
Axial dynamic load	Cax	kN	299
Weight	W	kg	131

Item PT-L-0941-O-B-S

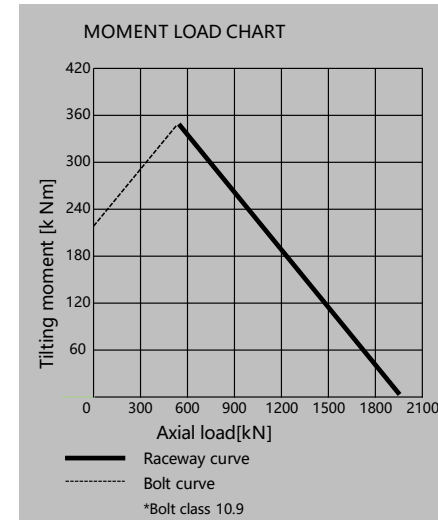
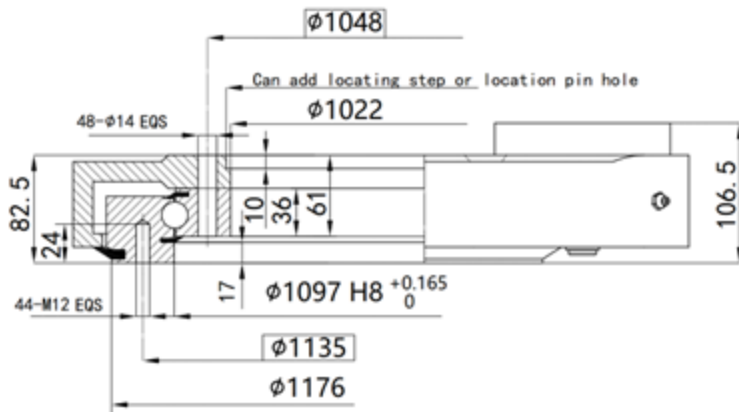
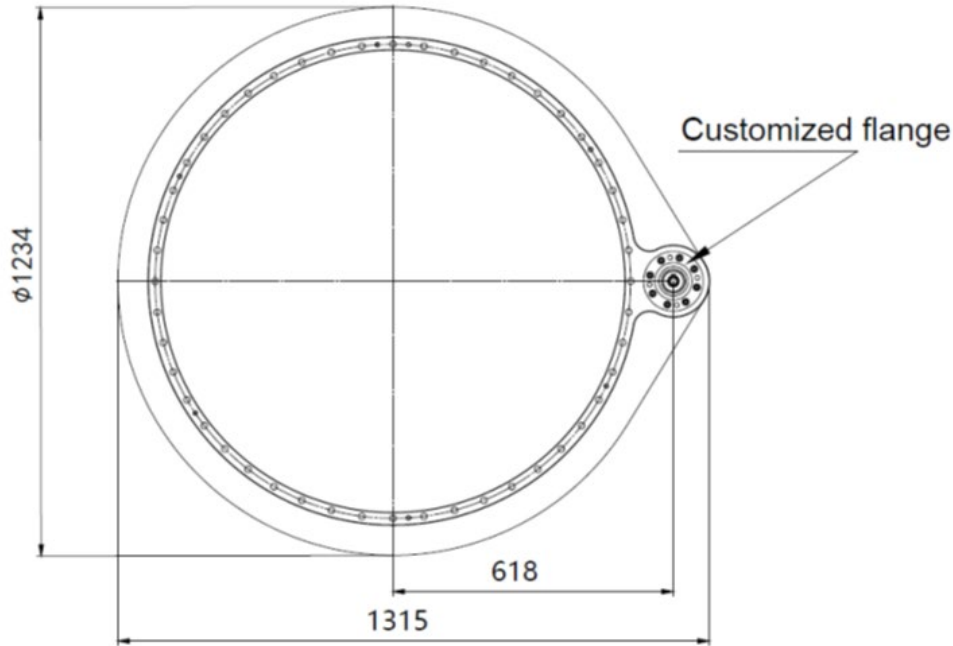


Item PT-L-0941-O-B-S	Sign	Unit	Value
Module	M	mm	4
Teeth number of wheel	Z2	-	258
Teeth number of pinion	Z1	-	15
Gear ratio	i	-	17,20
Max torque	Md max	N.m	9923
Nom torque	Md nom	N.m	7181
Max holding torque	Mh	N.m	9923
Radial static load	Co rad	kN	643
Axial static load	Co ax	kN	1722
Radial dynamic load	Crad	kN	265
Axial dynamic load	Cax	kN	311
Weight	W	kg	153

Item PT-L-1091-O-B-S

www.pivexin-tech.com

NATECH
DRIVE



Item PT-L-1091-O-B-S	Sign	Unit	Value
Module	M	mm	4
Teeth number of wheel	Z2	-	294
Teeth number of pinion	Z1	-	15
Gear ratio	i	-	19,60
Max torque	Md max	N.m	11395
Nom torque	Md nom	N.m	8247
Max holding torque	Mh	N.m	11395
Radial static load	Co rad	kN	746
Axial static load	Co ax	kN	1996
Radial dynamic load	Crad	kN	281
Axial dynamic load	Cax	kN	327
Weight	W	kg	168

Series PT-M-O-B-S

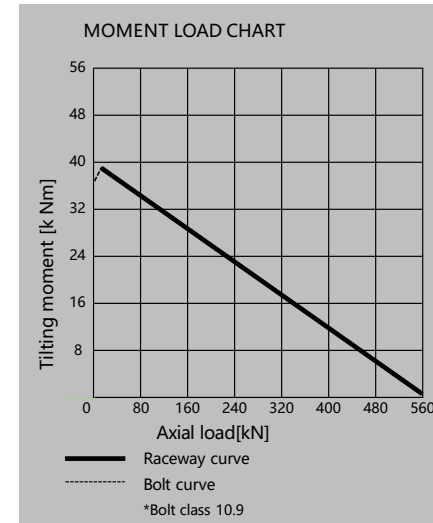
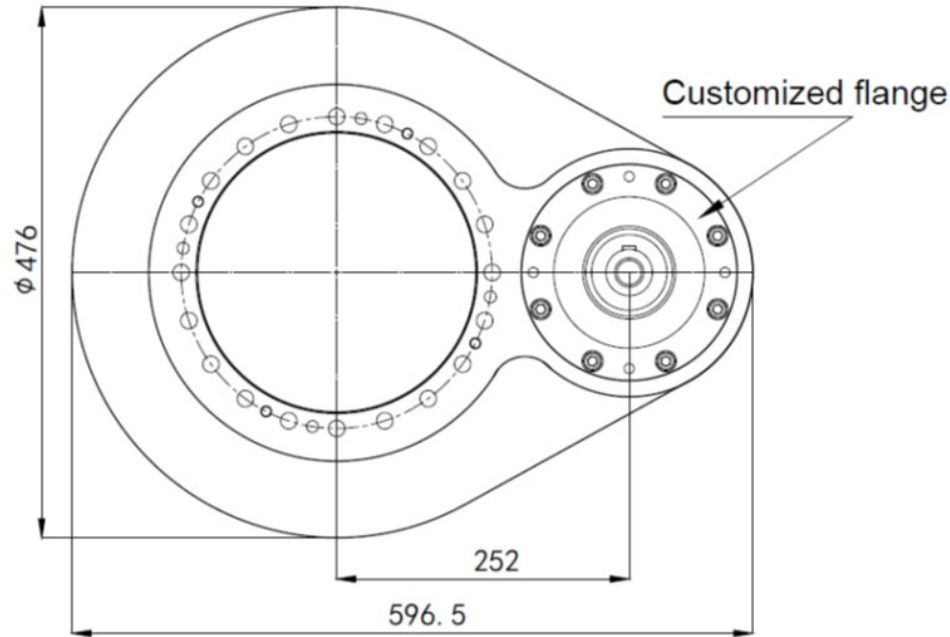
M – Medium duty

Series PT-M-O-B-S	Sign	Unit	0311	0411	0541	0641	0741	0841	0941	1091
Module	M	mm	6	6	6	6	6	6	6	6
Teeth number of wheel	Z2	-	69	84	105	123	138	156	174	198
Teeth number of pinion	Z1	-	15	15	15	15	15	15	15	15
Gear ratio	i	-	4,60	5,60	7,00	8,20	9,20	10,40	11,60	13,20
Max torque	Md max	N.m	8794	10896	13783	16015	18115	20479	22579	25992
Nom torque	Md nom	N.m	6591	8254	10570	12356	14019	15896	17526	20236
Max holding torque	Mh	N.m	8794	10896	13783	16015	18115	20479	22579	25992
Radial static load	Co rad	kN	212	281	369	438	506	574	643	746
Axial static load	Co ax	kN	568	751	989	1172	1356	1538	1722	1996
Radial dynamic load	Crad	kN	175	194	216	231	243	255	265	281
Axial dynamic load	Cax	kN	204	226	253	269	284	299	311	327
Weight	W	kg	88	103	125	149	160	186	213	233
Common products	Precision	mm	Tooth high point backlash value=0.03*M-0.04*M							
Precision products	Precision	°	0,040	0,030	0,030	0,025	0,025	0,020	0,020	0,015

Item PT-M-0311-O-B-S

www.pivexin-tech.com

NATECH
DRIVE

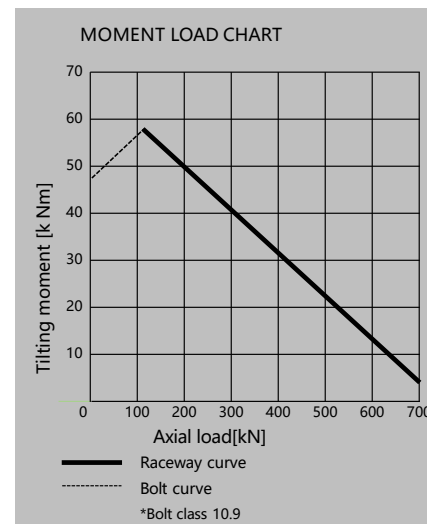
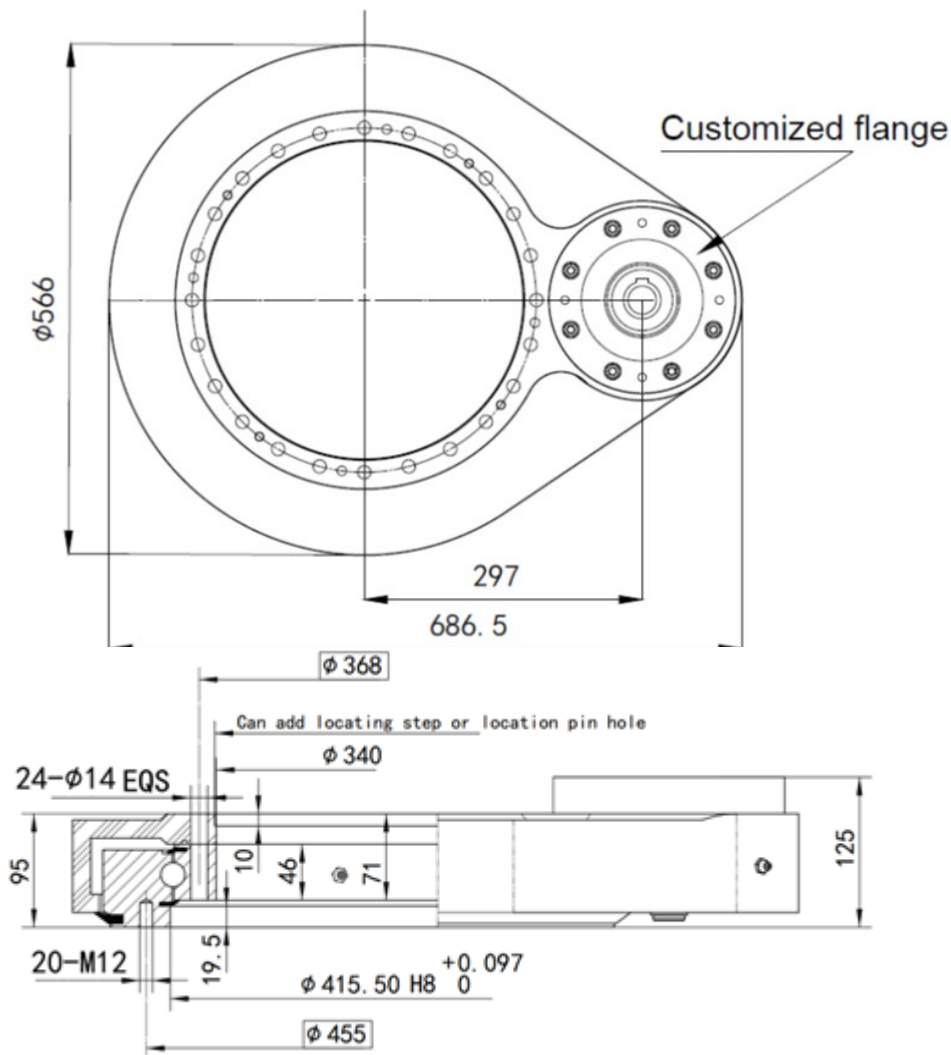


Item PT-M-0311-O-B-S	Sign	Unit	Value
Module	M	mm	6
Teeth number of wheel	Z2	-	69
Teeth number of pinion	Z1	-	15
Gear ratio	i	-	4,60
Max torque	Md max	N.m	8794
Nom torque	Md nom	N.m	6591
Max holding torque	Mh	N.m	8794
Radial static load	Co rad	kN	212
Axial static load	Co ax	kN	568
Radial dynamic load	Crad	kN	175
Axial dynamic load	Cax	kN	204
Weight	W	kg	88

Item PT-M-0411-O-B-S

www.pivexin-tech.com

NATECH
DRIVE

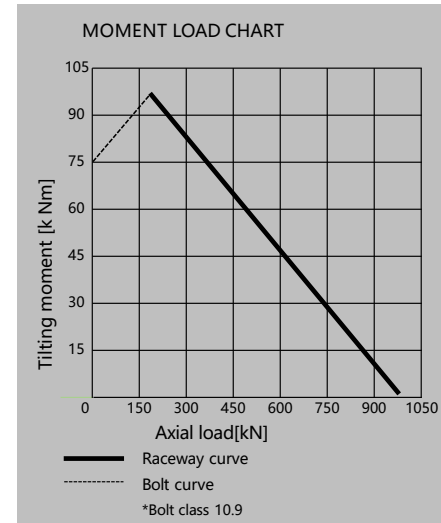
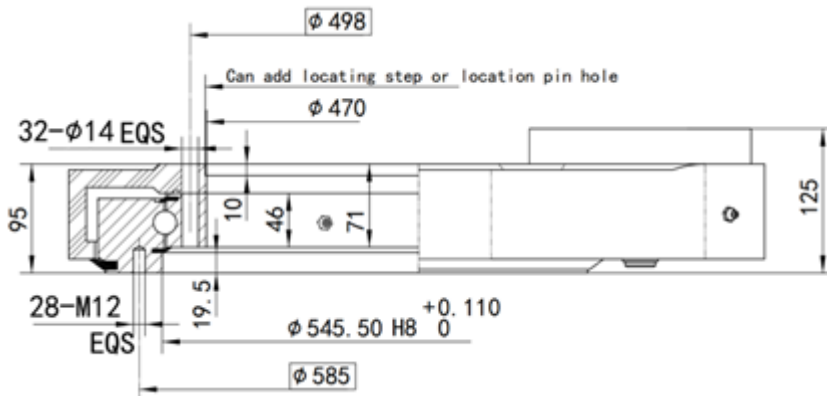
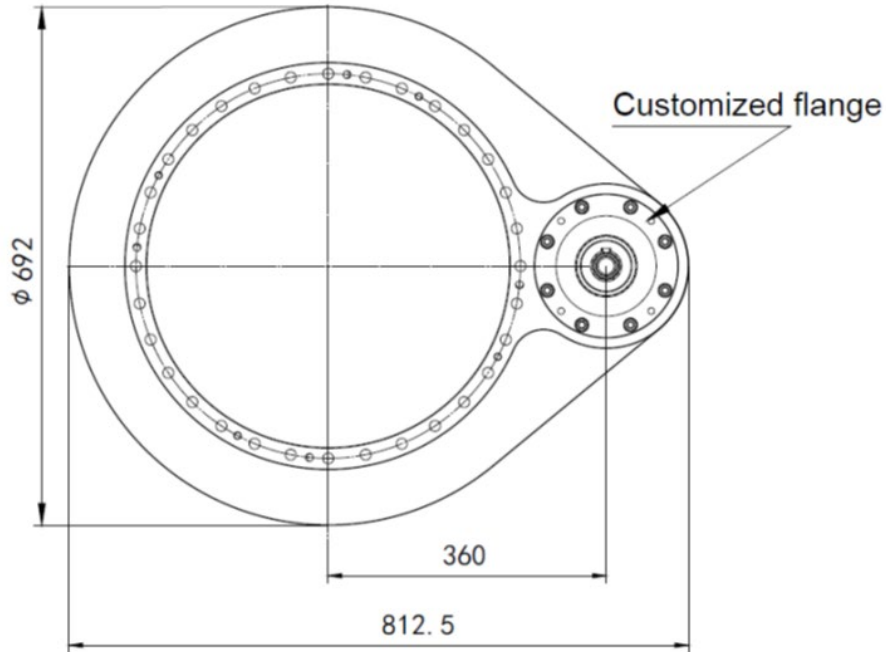


Item PT-M-0411-O-B-S	Sign	Unit	Value
Module	M	mm	6
Teeth number of wheel	Z2	-	84
Teeth number of pinion	Z1	-	15
Gear ratio	i	-	5,60
Max torque	Md max	N.m	10896
Nom torque	Md nom	N.m	8254
Max holding torque	Mh	N.m	10896
Radial static load	Co rad	kN	281
Axial static load	Co ax	kN	751
Radial dynamic load	Crad	kN	194
Axial dynamic load	Cax	kN	226
Weight	W	kg	103

Item PT-M-0541-O-B-S

www.pivexin-tech.com

NATECH
DRIVE

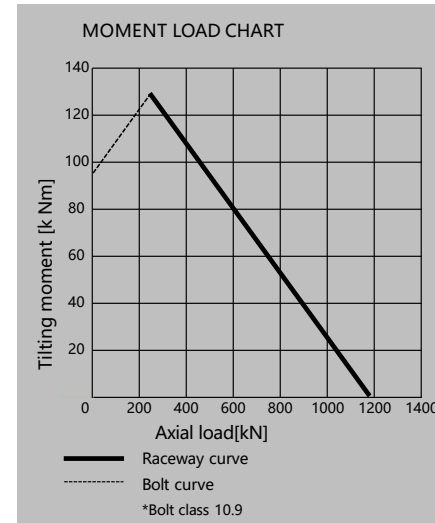
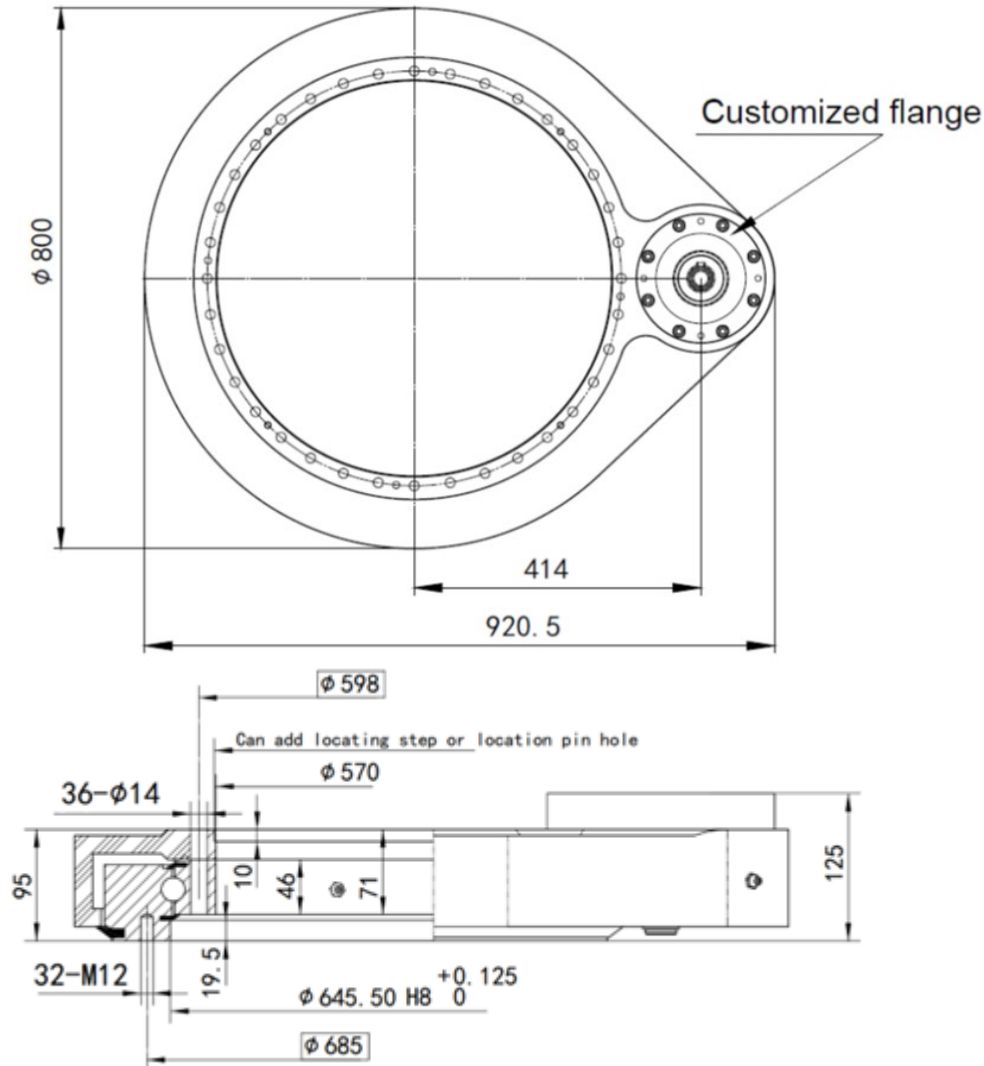


Item PT-M-0541-O-B-S	Sign	Unit	Value
Module	M	mm	6
Teeth number of wheel	Z2	-	105
Teeth number of pinion	Z1	-	15
Gear ratio	i	-	7,00
Max torque	Md max	N.m	13783
Nom torque	Md nom	N.m	10570
Max holding torque	Mh	N.m	13783
Radial static load	Co rad	kN	369
Axial static load	Co ax	kN	989
Radial dynamic load	Crad	kN	216
Axial dynamic load	Cax	kN	253
Weight	W	kg	125

Item PT-M-0641-O-B-S

www.pivexin-tech.com

NATECH
DRIVE

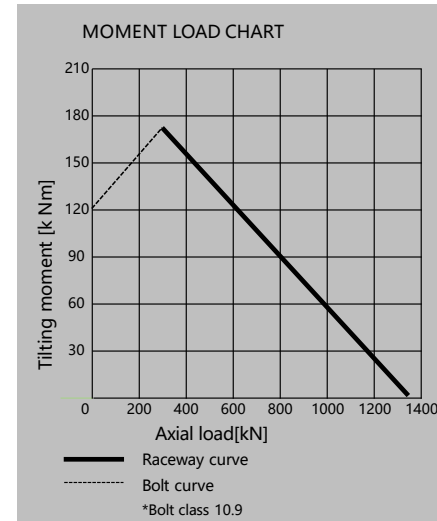
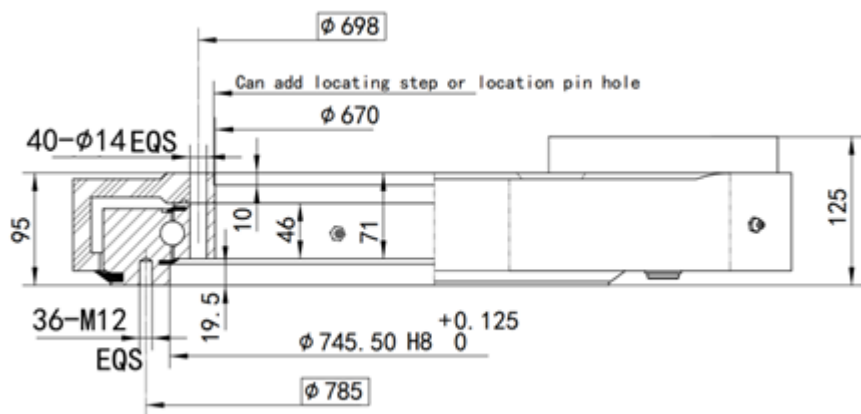
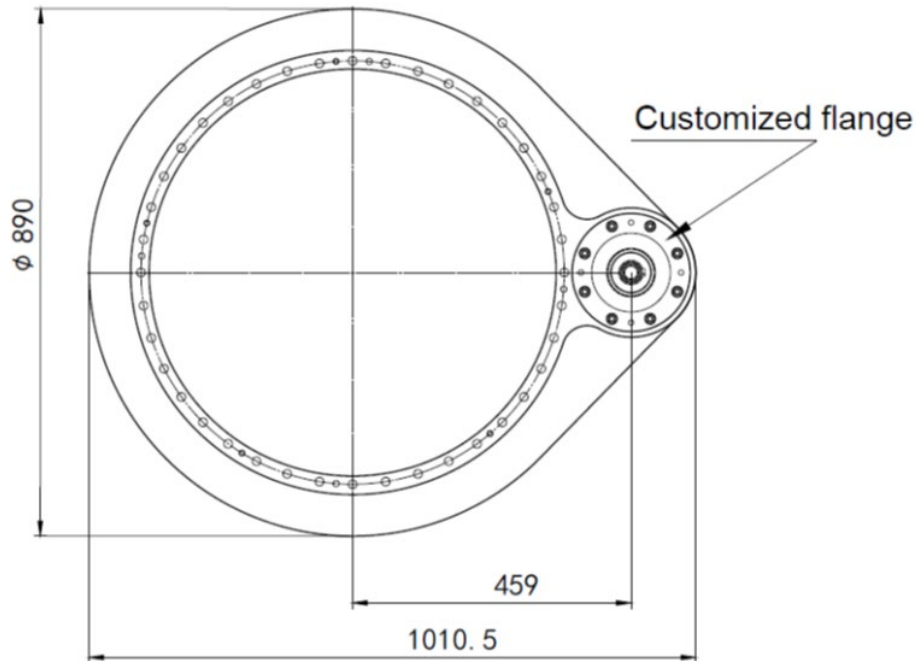


Item PT-M-0641-O-B-S	Sign	Unit	Value
Module	M	mm	6
Teeth number of wheel	Z2	-	123
Teeth number of pinion	Z1	-	15
Gear ratio	i	-	8,20
Max torque	Md max	N.m	16015
Nom torque	Md nom	N.m	12356
Max holding torque	Mh	N.m	16015
Radial static load	Co rad	kN	438
Axial static load	Co ax	kN	1172
Radial dynamic load	Crad	kN	231
Axial dynamic load	Cax	kN	269
Weight	W	kg	149

Item PT-M-0741-O-B-S

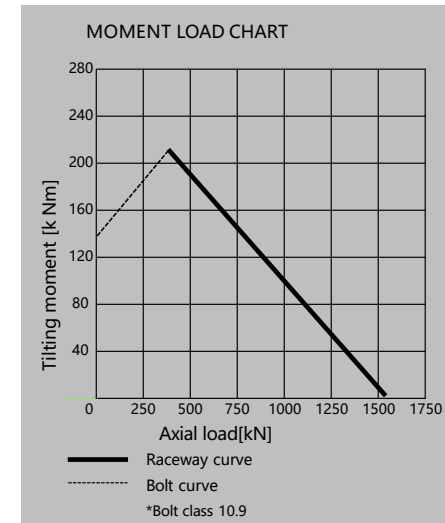
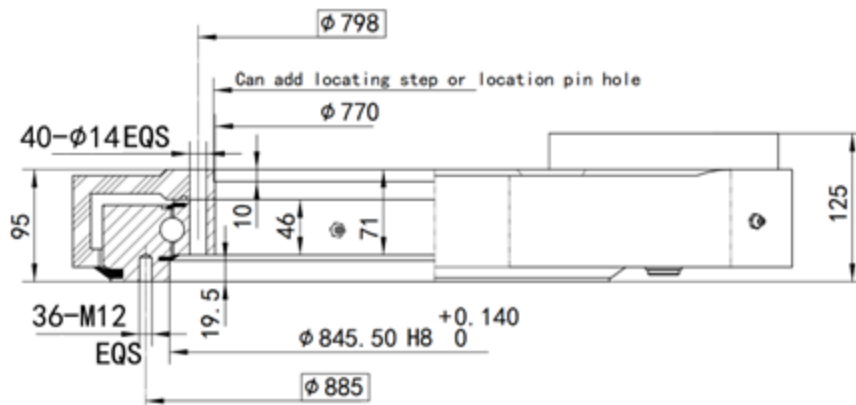
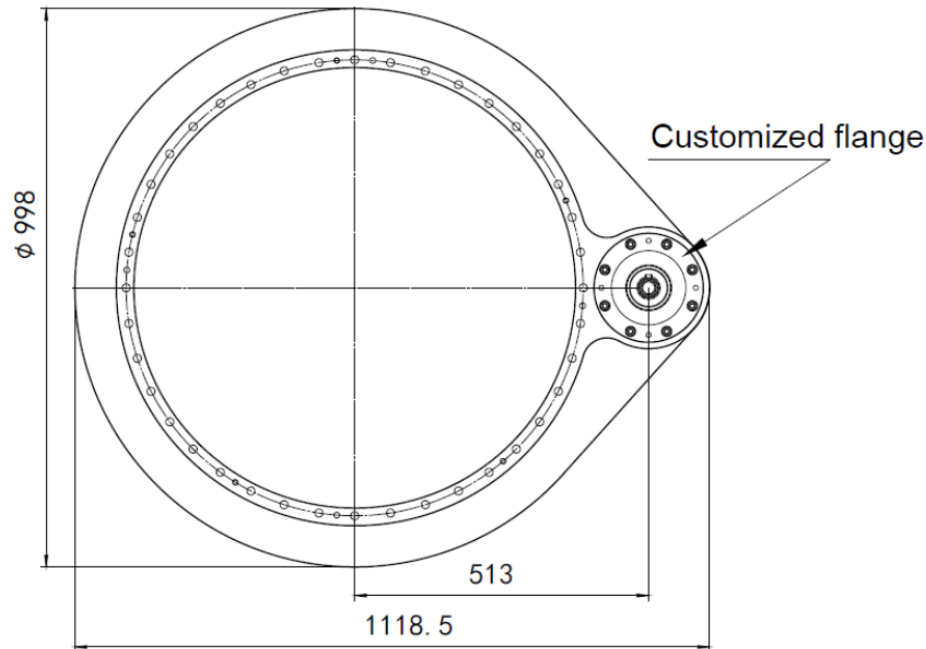
www.pivexin-tech.com

NATECH
DRIVE



Item PT-M-0741-O-B-S	Sign	Unit	Value
Module	M	mm	6
Teeth number of wheel	Z2	-	138
Teeth number of pinion	Z1	-	15
Gear ratio	i	-	9,20
Max torque	Md max	N.m	18115
Nom torque	Md nom	N.m	14019
Max holding torque	Mh	N.m	18115
Radial static load	Co rad	kN	506
Axial static load	Co ax	kN	1356
Radial dynamic load	Crad	kN	243
Axial dynamic load	Cax	kN	284
Weight	W	kg	160

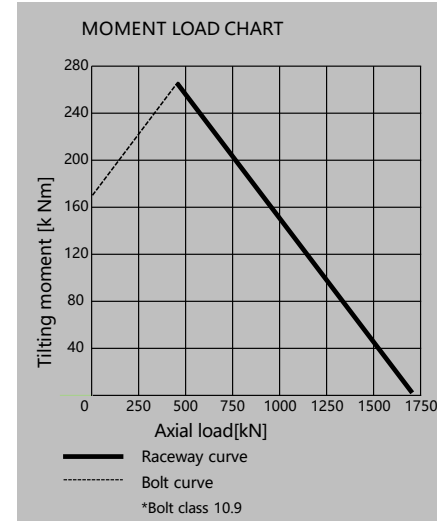
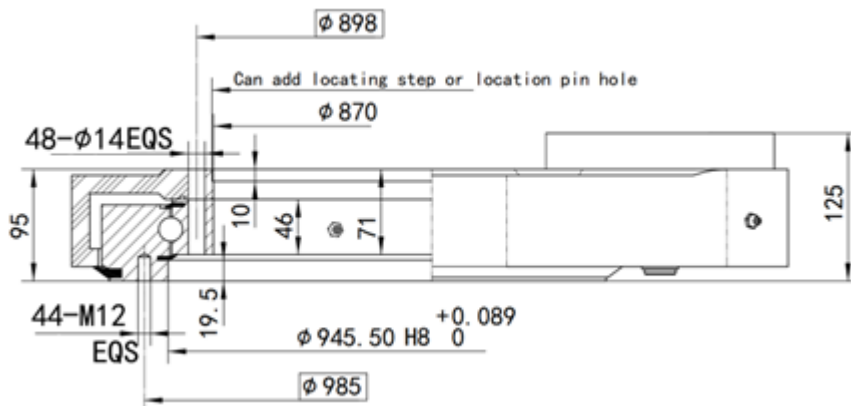
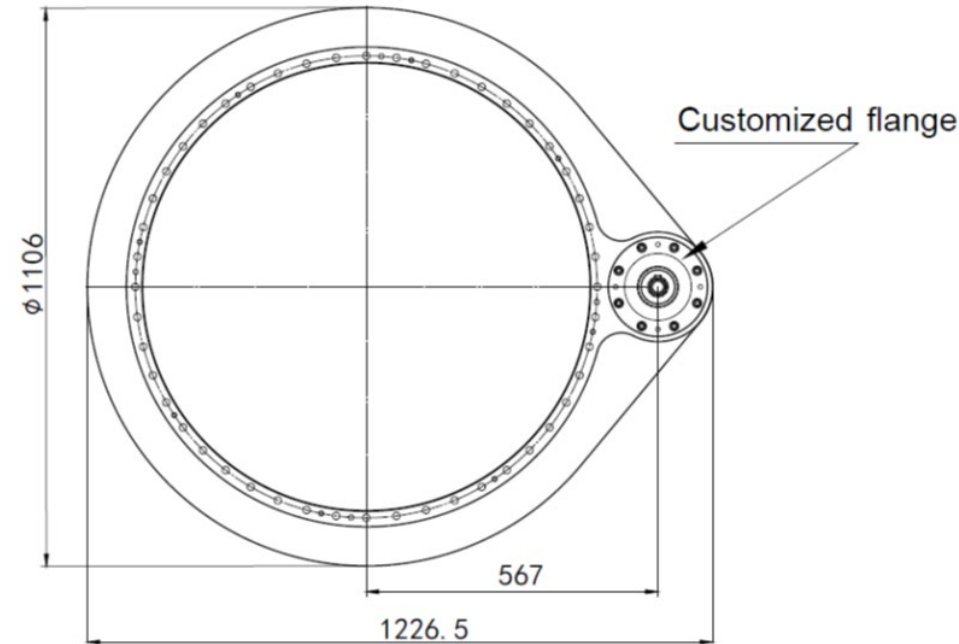
Item PT-M-0841-O-B-S



Item PT-M-0841-O-B-S	Sign	Unit	Value
Module	M	mm	6
Teeth number of wheel	Z2	-	156
Teeth number of pinion	Z1	-	15
Gear ratio	i	-	10,40
Max torque	Md max	N.m	20479
Nom torque	Md nom	N.m	15896
Max holding torque	Mh	N.m	20479
Radial static load	Co rad	kN	574
Axial static load	Co ax	kN	1538
Radial dynamic load	Crad	kN	255
Axial dynamic load	Cax	kN	299
Weight	W	kg	186

Item PT-M-0941-O-B-S

www.pivexin-tech.com

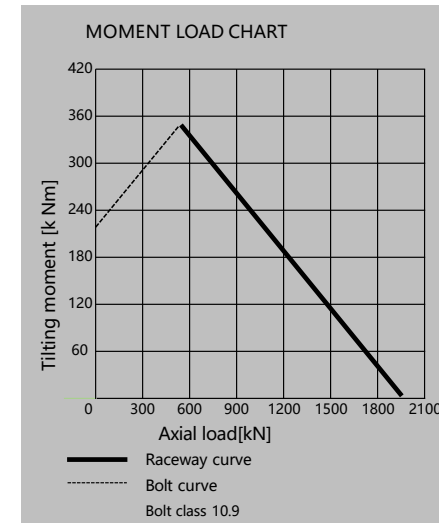
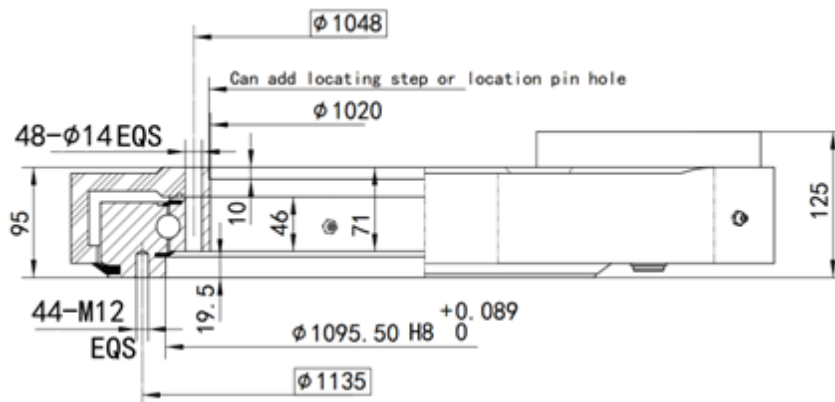
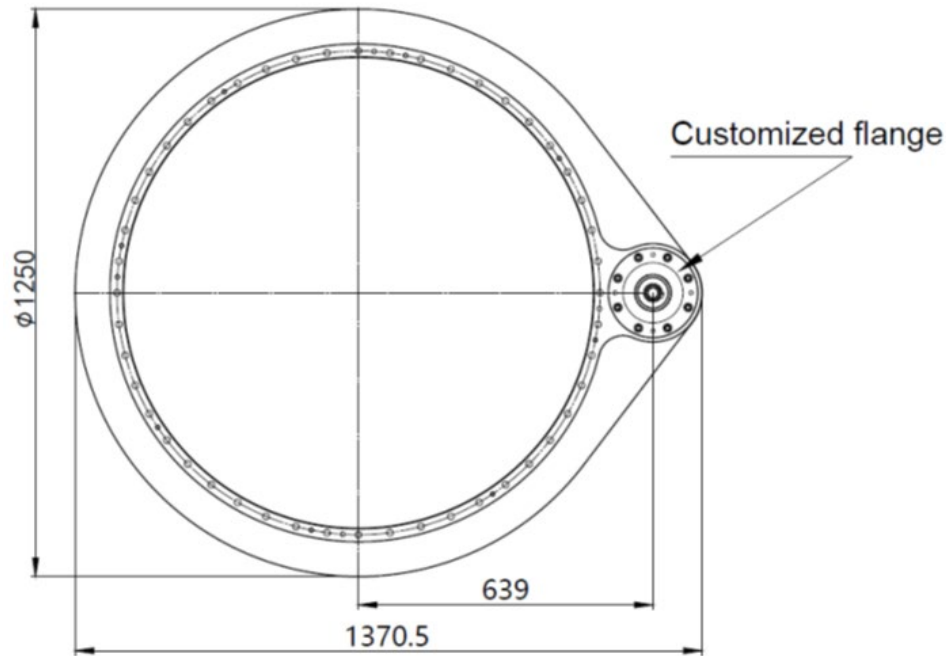


Item PT-M-0941-O-B-S	Sign	Unit	Value
Module	M	mm	6
Teeth number of wheel	Z2	-	174
Teeth number of pinion	Z1	-	15
Gear ratio	i	-	11,60
Max torque	Md max	N.m	22579
Nom torque	Md nom	N.m	17526
Max holding torque	Mh	N.m	22579
Radial static load	Co rad	kN	643
Axial static load	Co ax	kN	1722
Radial dynamic load	Crad	kN	265
Axial dynamic load	Cax	kN	311
Weight	W	kg	213

Item PT-M-1091-O-B-S

www.pivexin-tech.com

NATECH
DRIVE



Item PT-M-1091-O-B-S	Sign	Unit	Value
Module	M	mm	6
Teeth number of wheel	Z2	-	198
Teeth number of pinion	Z1	-	15
Gear ratio	i	-	13,20
Max torque	Md max	N.m	25992
Nom torque	Md nom	N.m	20236
Max holding torque	Mh	N.m	25992
Radial static load	Co rad	kN	746
Axial static load	Co ax	kN	1996
Radial dynamic load	Crad	kN	281
Axial dynamic load	Cax	kN	327
Weight	W	kg	233

Series PT-H-O-B-S

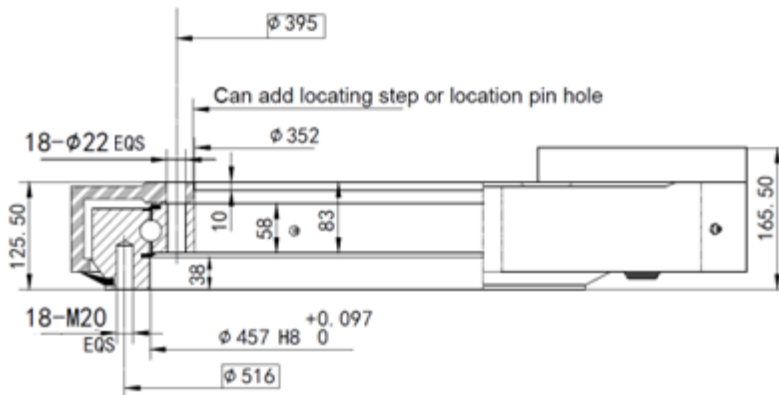
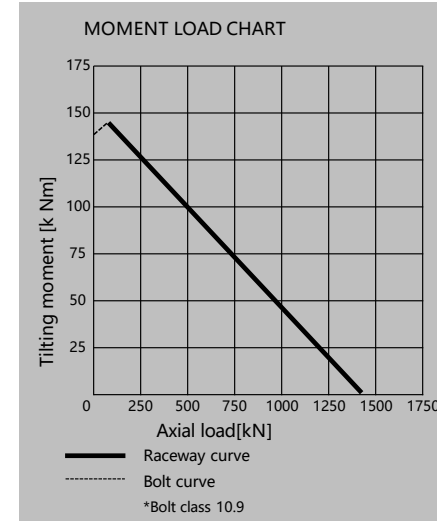
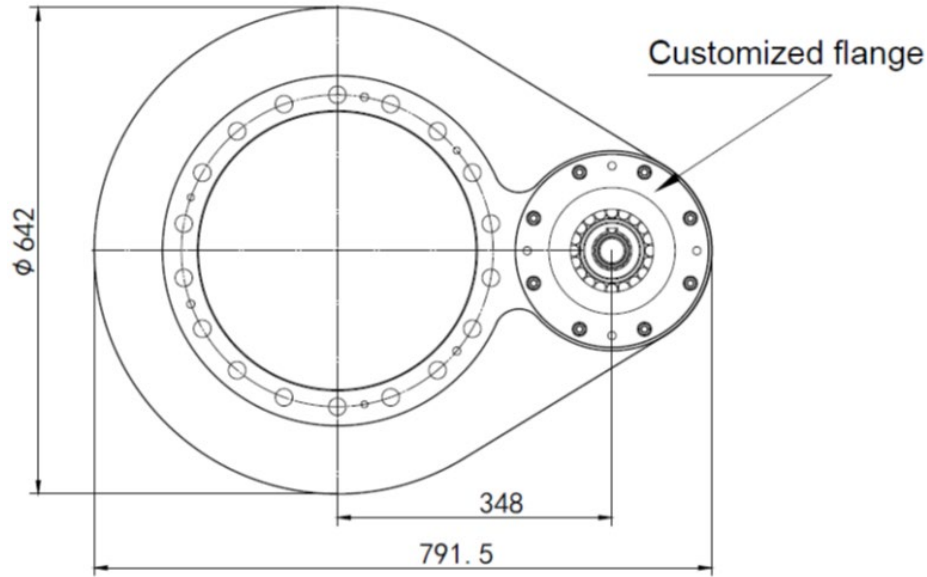
H – Heavy duty

Series PT-H-O-B-S	Sign	Unit	0455	0555	0655	0755	0855	0955
Module	M	mm	8	8	8	8	8	8
Teeth number of wheel	Z2	-	72	87	99	111	123	135
Teeth number of pinion	Z1	-	15	15	15	15	15	15
Gear ratio	i	-	4,80	5,80	6,60	7,40	8,20	9,00
Max torque	Md max	N.m	28226	33323	38420	43125	48124	52926
Nom torque	Md nom	N.m	18477	22022	25549	28768	33404	37069
Max holding torque	Mh	N.m	28226	33323	38420	43125	48124	52926
Radial static load	Co rad	kN	546	665	785	906	1025	1145
Axial static load	Co ax	kN	1461	1781	2102	2424	2745	3066
Radial dynamic load	Crad	kN	254	272	290	305	321	335
Axial dynamic load	Cax	kN	296	318	338	356	375	391
Weight		kg	192	243	272	301	327	354
Common products	Precision	mm	Tooth high point backlash value=0.03*M-0.04*M					
Precision products	Precision	°	0,030	0,030	0,025	0,025	0,020	0,015

Item PT-H-0455-O-B-S

www.pivexin-tech.com

NATECH
DRIVE

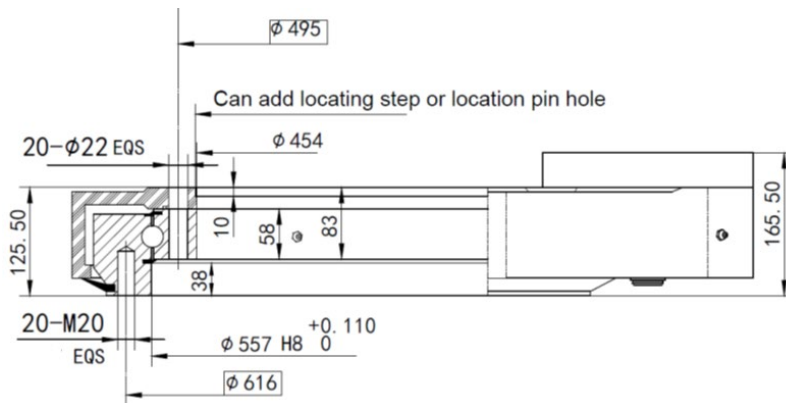
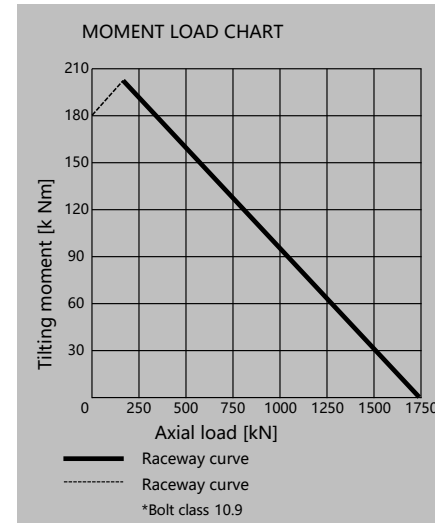
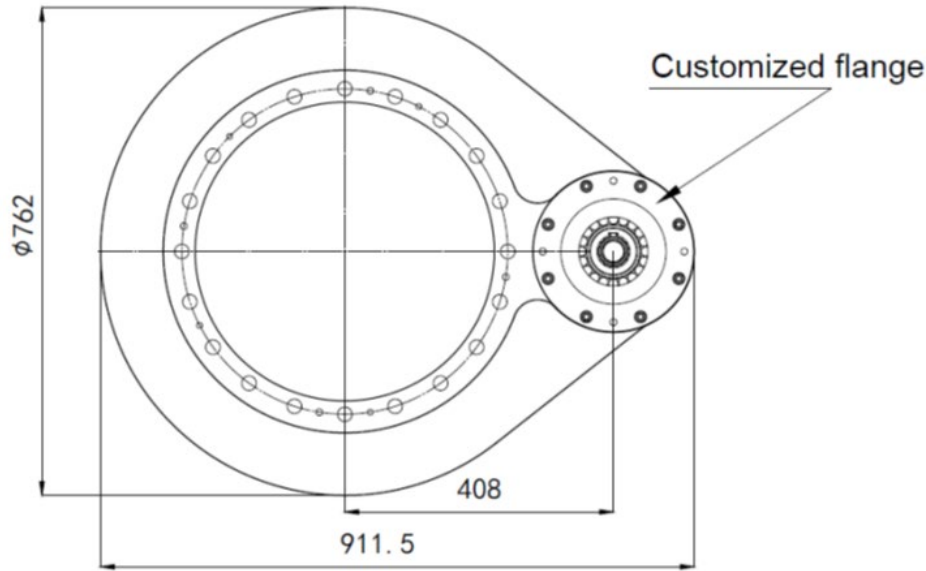


Item PT-H-0455-O-B-S	Sign	Unit	Value
Module	M	mm	8
Teeth number of wheel	Z2	-	72
Teeth number of pinion	Z1	-	15
Gear ratio	i	-	4,80
Max torque	Md max	N.m	28226
Nom torque	Md nom	N.m	18477
Max holding torque	Mh	N.m	28226
Radial static load	Co rad	kN	546
Axial static load	Co ax	kN	1461
Radial dynamic load	Crad	kN	254
Axial dynamic load	Cax	kN	296
Weight	W	kg	192

Item PT-H-0555-O-B-S

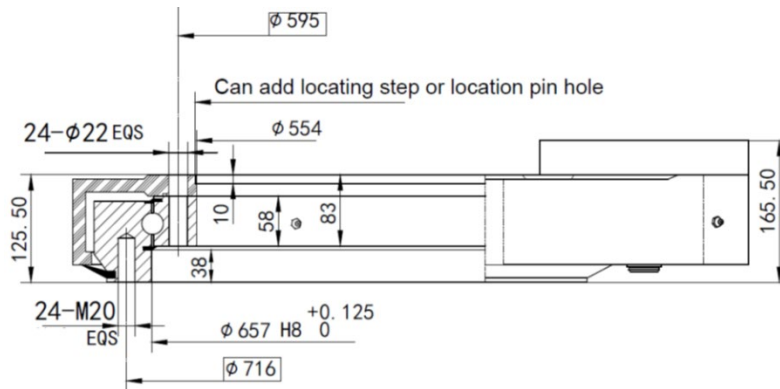
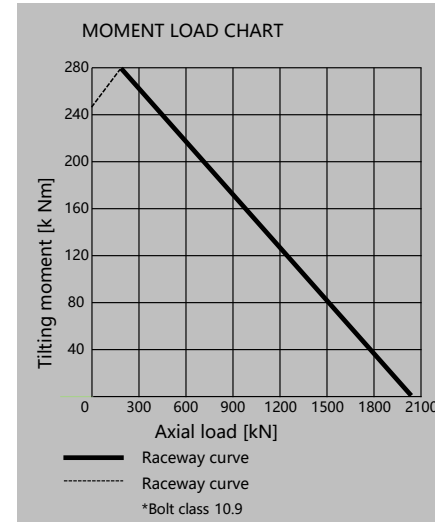
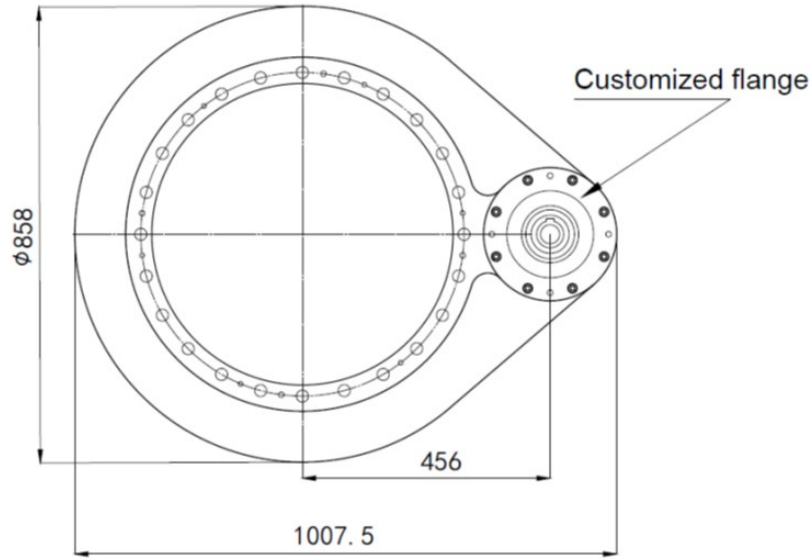
www.pivexin-tech.com

NATECH
DRIVE



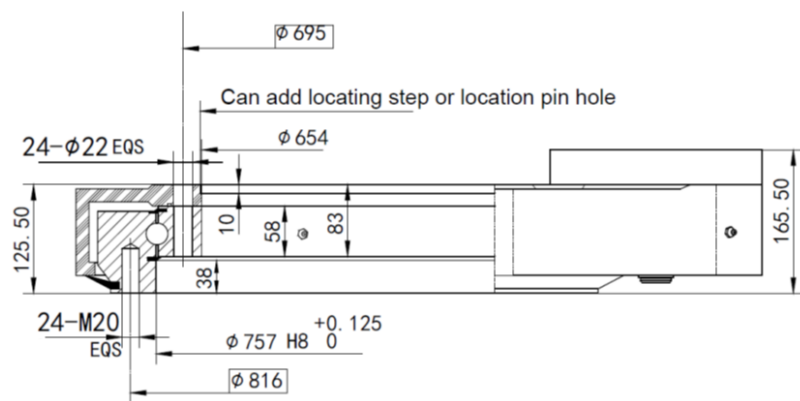
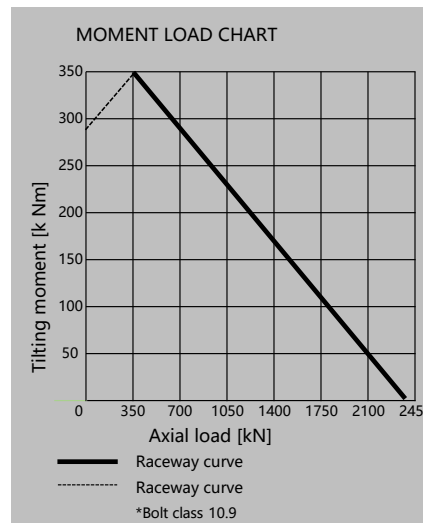
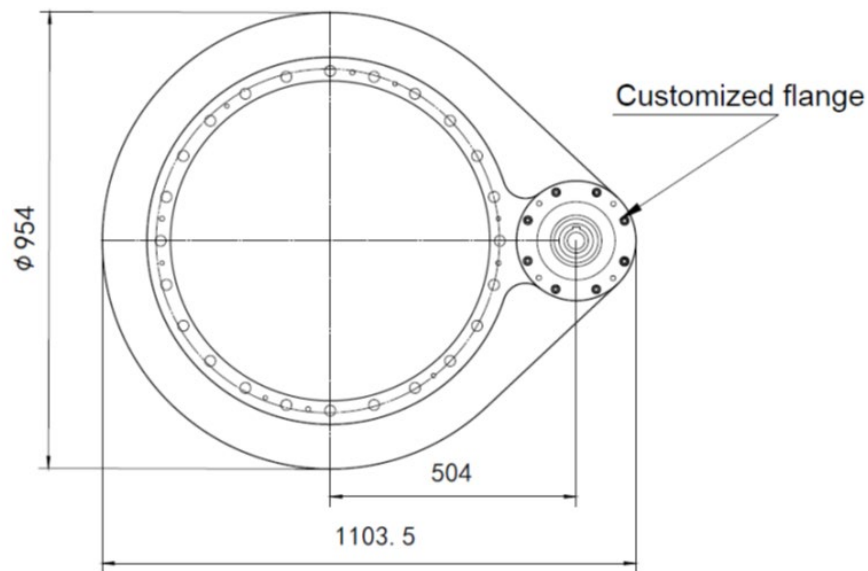
Item PT-H-0555-O-B-S	Sign	Unit	Value
Module	M	mm	8
Teeth number of wheel	Z2	-	87
Teeth number of pinion	Z1	-	15
Gear ratio	i	-	5,80
Max torque	Md max	N.m	33323
Nom torque	Md nom	N.m	22022
Max holding torque	Mh	N.m	33323
Radial static load	Co rad	kN	665
Axial static load	Co ax	kN	1781
Radial dynamic load	Crad	kN	272
Axial dynamic load	Cax	kN	318
Weight	W	kg	243

Item PT-H-0655-O-B-S



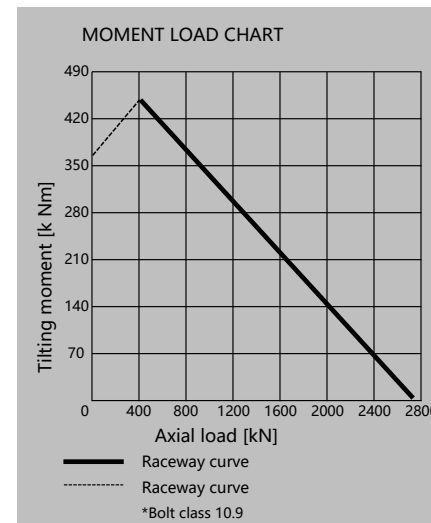
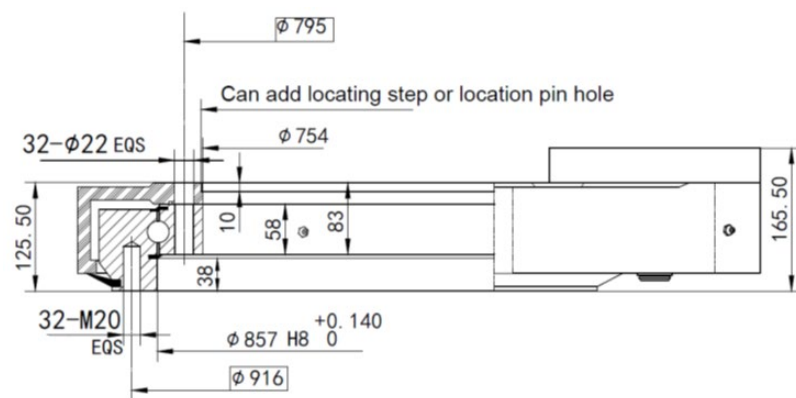
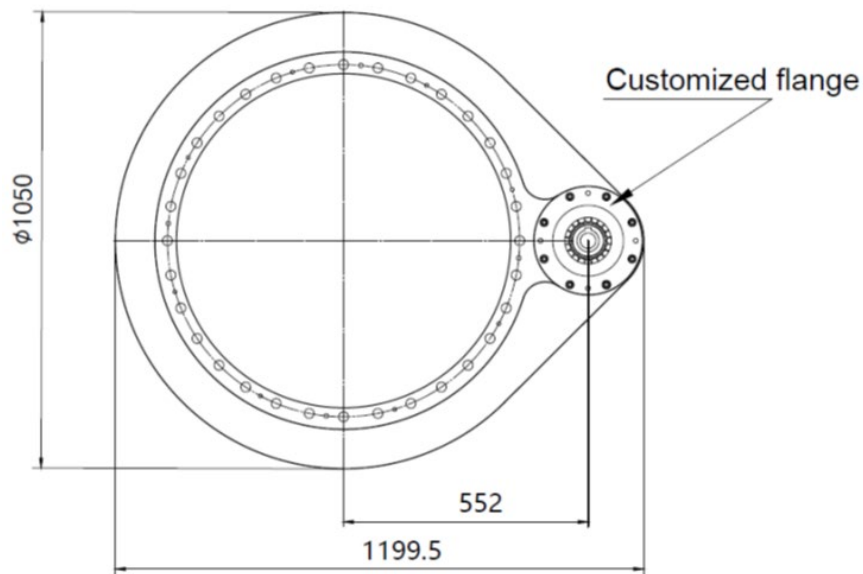
Item PT-H-0655-O-B-S	Sign	Unit	Value
Module	M	mm	8
Teeth number of wheel	Z2	-	99
Teeth number of pinion	Z1	-	15
Gear ratio	i	-	6,60
Max torque	Md max	N.m	38420
Nom torque	Md nom	N.m	25549
Max holding torque	Mh	N.m	38420
Radial static load	Co rad	kN	785
Axial static load	Co ax	kN	2102
Radial dynamic load	Crad	kN	290
Axial dynamic load	Cax	kN	338
Weight	W	kg	272

Item PT-H-0755-O-B-S



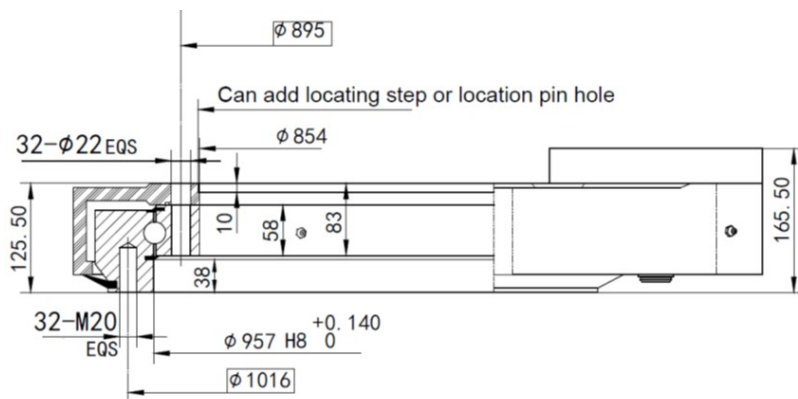
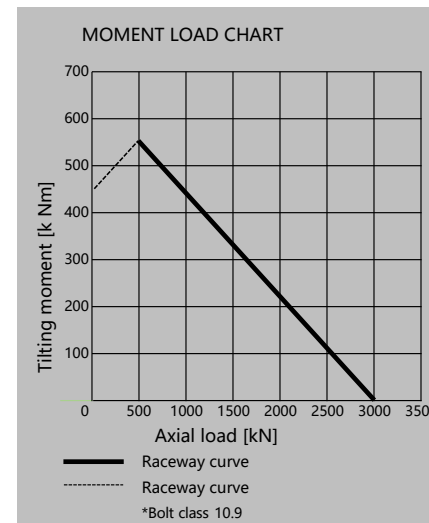
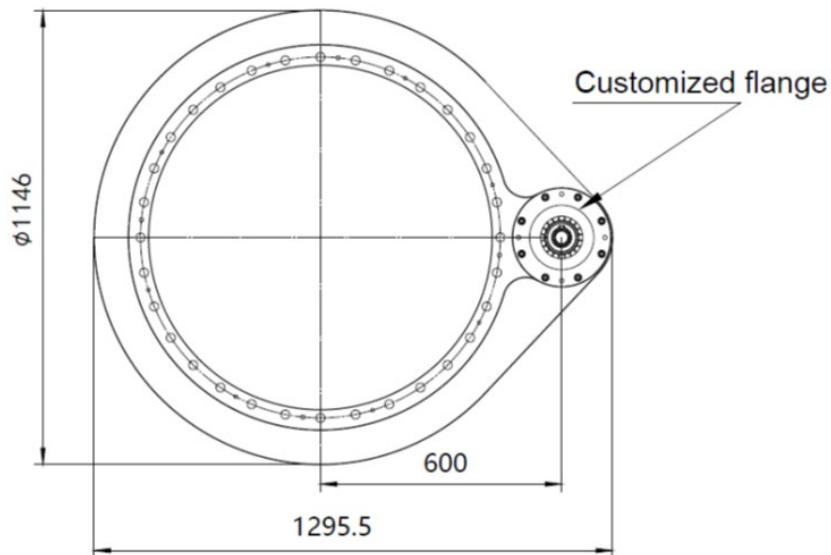
Item PT-H-0755-O-B-S	Sign	Unit	Value
Module	M	mm	8
Teeth number of wheel	Z2	-	111
Teeth number of pinion	Z1	-	15
Gear ratio	i	-	7,40
Max torque	Md max	N.m	43125
Nom torque	Md nom	N.m	28768
Max holding torque	Mh	N.m	43125
Radial static load	Co rad	kN	906
Axial static load	Co ax	kN	2424
Radial dynamic load	Crad	kN	305
Axial dynamic load	Cax	kN	356
Weight	W	kg	301

Item PT-H-0855-O-B-S



Item PT-H-0855-O-B-S	Sign	Unit	Value
Module	M	mm	8
Teeth number of wheel	Z2	-	123
Teeth number of pinion	Z1	-	15
Gear ratio	i	-	8,20
Max torque	Md max	N.m	48124
Nom torque	Md nom	N.m	33404
Max holding torque	Mh	N.m	48124
Radial static load	Co rad	kN	1025
Axial static load	Co ax	kN	2745
Radial dynamic load	Crad	kN	321
Axial dynamic load	Cax	kN	375
Weight	W	kg	327

Item PT-H-0955-O-B-S



Item PT-H-0955-O-B-S	Sign	Unit	Value
Module	M	mm	8
Teeth number of wheel	Z2	-	135
Teeth number of pinion	Z1	-	15
Gear ratio	i	-	9,00
Max torque	Md max	N.m	52926
Nom torque	Md nom	N.m	37069
Max holding torque	Mh	N.m	52926
Radial static load	Co rad	kN	1145
Axial static load	Co ax	kN	3066
Radial dynamic load	Crad	kN	335
Axial dynamic load	Cax	kN	391
Weight	W	kg	354

NATECH **DRIVE**

PIVEXIN TECHNOLOGY Sp. z o.o.

ul. Wyrabiskowa 4

47-440 Babice

POLAND

www.pivexin-tech.com